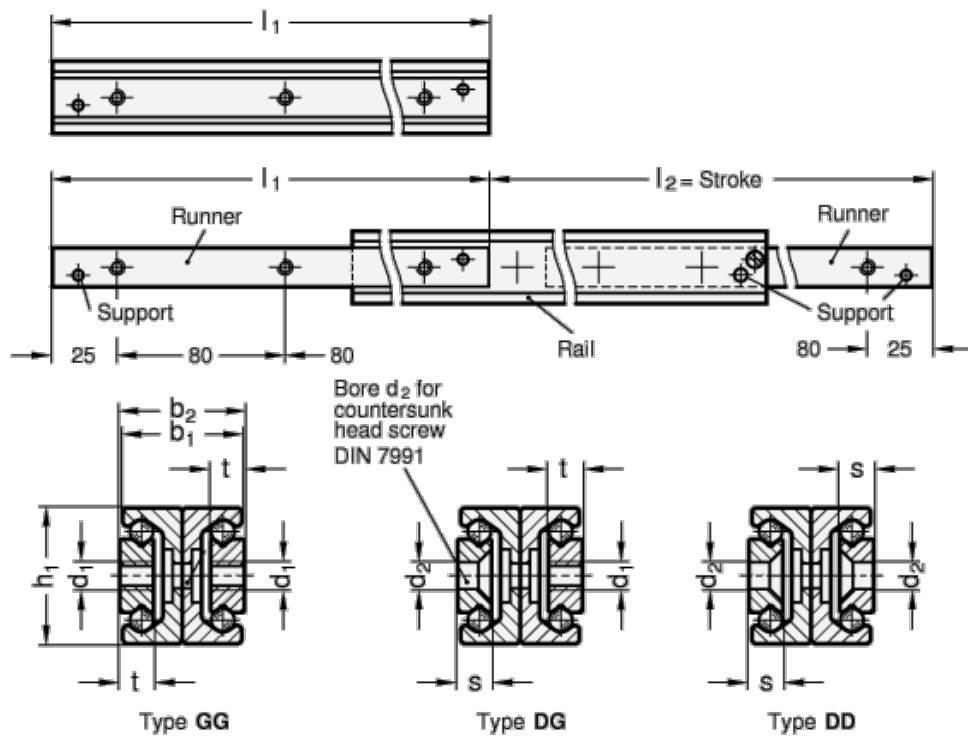


Article number: 20240828450DG

Description: E+G Telescope-Liאר motion bearings GN 2408-28-450-DG

## Measures



$b_1 = 24.6$   
 $b_2 = 25.8$   
 $d_1 = M5$   
 $d_2 = 5.5$   
 $h_1 = 28$   
 $L_1 = 450 - 464$   
 $s = 4$   
 $t =$

Weight in (g) = 1980